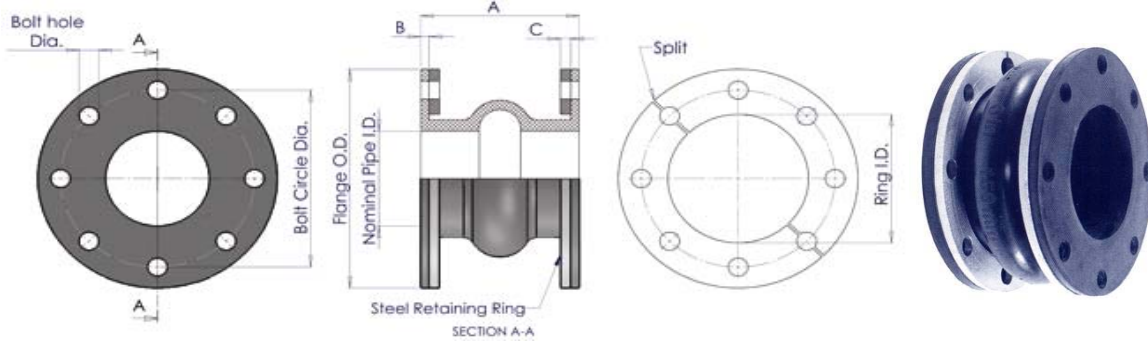


1000T SPOOL EXPANSION JOINT



The 1000T Spool expansion joint is a molded arched spool rubber expansion joint for moderate pressures and movements. They are available in butyl and EPDM. Higher pressures and movements are available in the Ultraspool rubber expansion joint, and with PTFE lined as the Tefspool expansion joint

Dimensions		Pressure/Vacuum		Temp	Movement				Physicals		Weight	Product No.
Size	Length A				Axial Comp	Axial Ext	Lateral	Angular	Spring Rate	Effective Area		
in	in	psi	hg	F	in	in	in	deg	lbs/in	in ²	lbs	
2	6	165	26	230°	0.5	0.25	0.5	19	396	12.4	8	1000TBB0200
2.5	6	165	26	230°	0.5	0.25	0.5	15	496	16	9	1000TBB0250
3	6	165	26	230°	0.5	0.25	0.5	13	596	19	11	1000TBB0300
4	6	165	26	230°	0.5	0.25	0.5	10	795	28	16	1000TBB0400
5	6	140	26	230°	0.5	0.25	0.5	8	991	38	18	1000TBB0500
6	6	140	26	230°	0.75	0.375	0.5	6	1191	50	21	1000TBB0600
8	6	140	26	230°	0.75	0.375	0.5	6	1324	78	30	1000TBB0800
10	8	140	26	230°	0.75	0.375	0.5	5	1655	120	40	1000TBB1000
12	8	140	26	230°	0.75	0.375	0.5	5	1985	162	60	1000TBB1200
14	8	85	15	230°	0.75	0.375	0.5	4	1738	210	67	1000TBB1400
16	8	65	15	230°	0.75	0.375	0.5	4	1985	265	71	1000TBB1600

<p>"Flexible Piping Solutions"</p> <p>PRINT CERTIFICATION: Certified Correct As Of: _____ By: _____</p>	Proposal/Inquiry/Order No.: _____	NOTES: HAVE CONTROL UNITS _____ BEEN ORDERED FOR THIS INSTALLATION:
	Customer Name: _____	
	Project Name: _____	
	Contractor: _____	
<small>The above expansion joints and related hardware, meet or exceed the physical, mechanical or material specifications of the Rubber Expansion Joint Div., Fluid Sealing Association. For additional information, see the Association, "Technical Handbook, Fifth Edition", Chapter II, Paragraph A.1. and Tables II, III, IV.</small>		